

## Electric Start Kit (if equipped)

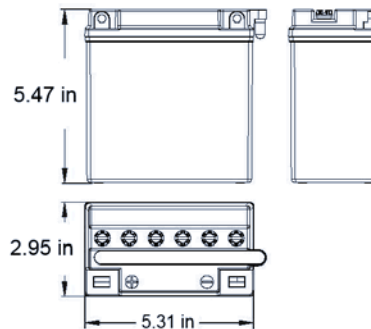
- If you purchased the electric start kit, install the battery tray on the inside of the platform under the engine. The two bolts that secure the engine on the beam side pass through the holes at the top of the battery tray.
- Install the battery in the tray after connecting the positive and negative wires.
- Secure the battery with the rubber strap provided.
- Connect the negative (BLACK) wire to the bolt that holds the engine onto the platform.
- Connect the positive (RED) wire to the post on the back of the starter solenoid.
- Bundle the wires together and secure with the wire bracket provided and/or zip ties.

**NOTE:** *The engine can still be started with the pull-start.  
The electric start control panel is the on-off switch.*

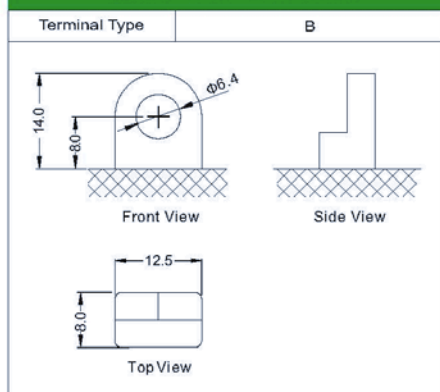
## Log Splitter Battery 12N9-4B-1 (12V9Ah)



### Dimensions



### Standard Terminal (mm)



### Specifications

Nominal Voltage		12V
Nominal Capacity (10HR)		9AH
Dimension	Length	135±2mm (5.31 inches)
	Width	75±2mm (2.95 inches)
	Container Height	139±2mm (5.47 inches)
	Total Height (with Terminal)	139±2mm (5.47 inches)
Weight	Battery(with acid): Approx 3.12kg (6.87lbs)	
	Electrolyte: Approx 0.72kg (1.59lbs)	

RuggedMade by IMS

7 Market Street  
Rockland, MA 02370

Tel: 1-855-8-RUGGED (855-878-4433) E-Mail: [info@ruggedmade.com](mailto:info@ruggedmade.com)

Website: [www.ruggedmade.com](http://www.ruggedmade.com)